

**Lithium Thionyl Chloride Battery**

<b>Model No.</b>	BL-5PN	BL-5PN-S1
<b>Cross Ref.</b>	LTC-5PN	LTC-5PN-S1

- Hermetic glass-to-metal sealing
- Stainless steel construction
- High energy density & working voltage
- Wide range operating temperature
- Optimized utilization of circuit board space
- Shelf life over 10 years at room temperature
- Annual self-discharge rate 1% or less
- UL Recognition File No. MH45994

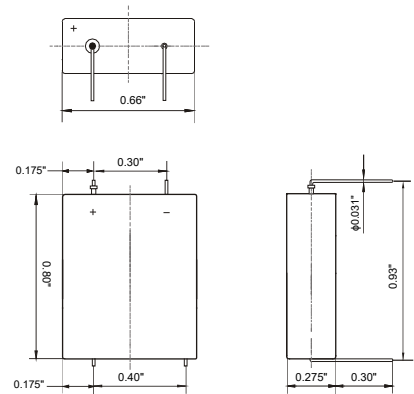
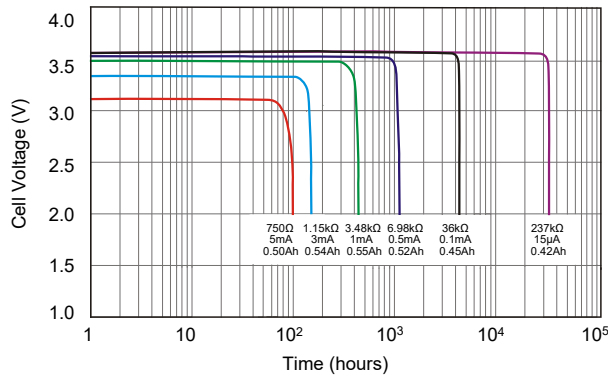
**Specifications** (Typical values for cells in storage for 12 months or less @23±2°C)

Nominal Capacity (at 1mA, 2.0V cut-off @25°C)	550 mAh
Rated Voltage	3.6V
Max. Recommended Continuous Current	10 mA
Max. Pulse Current Capacity	20 mA
Operating Temperature (-67°F/+185°F)	-55°C/+85°C
Storage Temperature (recommended) 86°F max.	+30°C max.
Typical Weight	6 g
Lithium Content (for transportation)	0.14 g

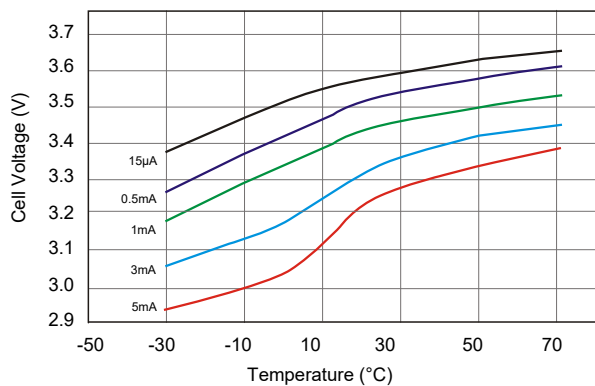


Leads or pins solder tinned, diameter 0.80mm (0.031"). Case negative polarity.

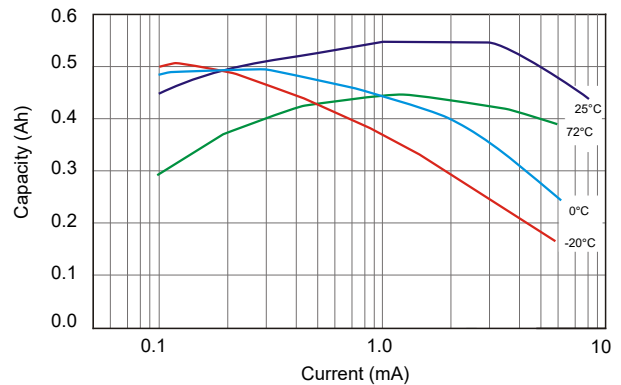
Typical Discharge Profile @25°C



Voltage versus Current and Temperature



Capacity versus Current and Temperature



Product specifications are subject to change without prior notice. Any presentation in this data sheet concerning performance is for information purpose only and not warranties, either expressed or implied, of future performance.