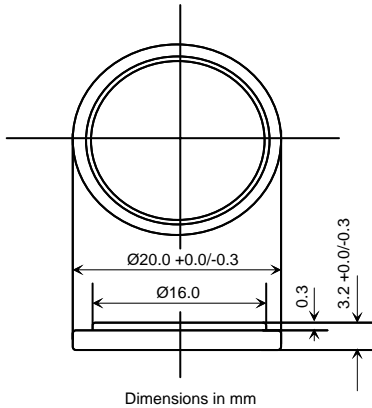


Electrochemistry: Lithium Manganese Dioxide  
 System: Primary (Non-rechargeable) Li/MnO<sub>2</sub>  
 Model: CR2032 coin cell

**Specifications**

Nominal voltage	3.0V
Nominal capacity (15kΩ load, cut-off 2.0V)	225mAh
Max. Constant Current	3mA
Max. Pulse Current	15mA
Operating temperature	-20°C / +70°C (-4°F / +158°F)
Weight	3.1g



Standard and customized tab configurations are available upon request.

**Warning:** Do not short-circuit between "+" and "-" terminals;  
 Do not charge, over-discharge, punch or damage the cell;  
 Do not put it into fire or heat it over temperature limit;  
 Do not solder directly on the cell, spot welding tabs on it instead.  
 Replace the cell when it reaches 2.0V;  
 Dispose of it in compliance with Federal, state or local regulations

