

**MODEL**  
ER2450T

**HIGH PERFORMANCE LITHIUM CELL**  
Lithium Thionyl Chloride (Li/SOCl<sub>2</sub>)

**Cross Reference**  
TLH-2450

**Specifications** ( typical values for a cell in storage for one year or less at 23±2°C)

Nominal voltage:	3.6V
Nominal capacity: ( discharge at 1mA, +25°C and 2.0V cut off )	500 mAh
Maximum recommended continuous current: ( to retain 50% of original capacity at 25°C, 2.0V cut-off )	5 mA
Maximum pulse current capacity: ( pulse capacity varies with frequency, duration, temperature, cell history of usage or storage and acceptable minimum voltage)	20 mA
Operating temperature range (-67°F/+185°F):	-55°C / +125°C
Storage temperature (recommended 86°F max.):	30°C
Typical weight:	9 g
Lithium Content (for transportation)	0.15 g

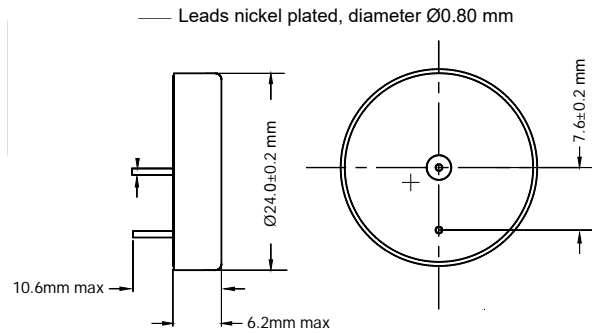
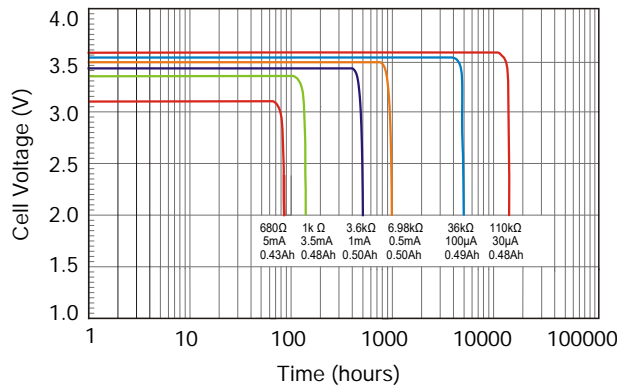
**Features**

- Hermetic glass-to-metal sealing
- Stainless steel construction
- High energy density & working voltage
- Wide range operating temperature
- Optimized utilization of circuit board space
- Shelf life over 10 years at room temperature
- Annual self-discharge rate 1% or less
- UL Recognition File No. MH45994

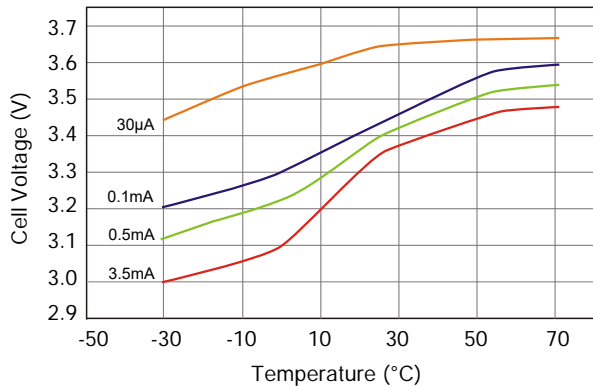
**Applications**

- TPMS
- Memory back-up
- FR transmitters
- AMR / Utility metering
- Alarm / Security systems

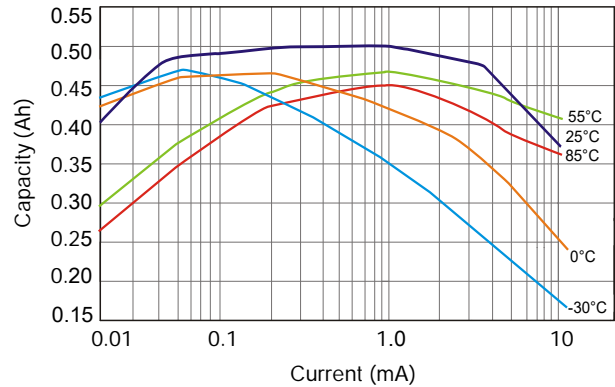
Typical Discharge Profile at 25°C



Voltage versus Current and Temperature



Capacity versus Current and Temperature



Product specifications are subject to change without prior notice. Any presentation in this data sheet concerning performance is for information purpose only and not warranties, either expressed or implied, of future performance.