

**P/N: ER32100**  
**SIZE: 1/6D**

**HIGH ENERGY LITHIUM CELL**  
**Lithium Thionyl Chloride (Li/SOCI<sub>2</sub>)**

**CROSS REFERENCE**  
**TL-5135, TL-4935, HP-5135**

**ELECTRICAL CHARACTERISTICS**

(Typical values for cells stored for one year or less at +25°C )

Rated voltage:	3.6V
Nominal capacity: (At 1mA, +25°C, 2.0V cut off. Discharge capacity may vary with current drain, temperature and cut off voltage)	1.7Ah
Maximum recommended continuous current:	10mA
Maximum pulse current:	50mA
Operating temperature range: (Operation at different temperatures may lead to changes in capacity)	-55°C / +85°C (-67°F / +185°F)
Storage temperature (recommended max.)	+30°C
Cell diameter (max.):	32.9mm
Cell height (max.):	10.0mm
Typical weight:	24g

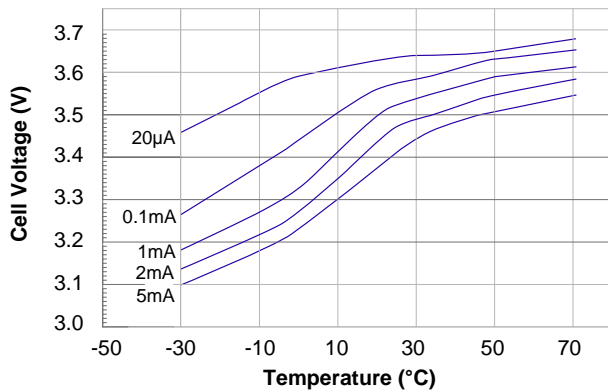
**Features**

- Stainless steel container
- Hermetic glass-to-metal sealing
- Extreme long operation
- Very low self discharge rate
- Wide range operation temperature
- UL Recognition File No. MH45994

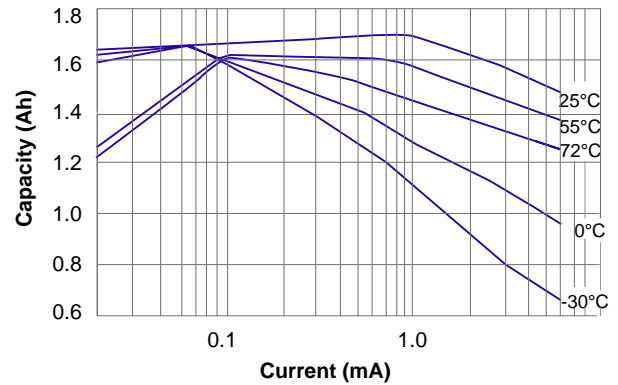
**Applications**

- AMR / Utility metering
- Electronic toll collection
- Radio communication
- Alarms / security systems
- RF transmitters
- Medical equipment
- Memory back-up
- Automotive electronics

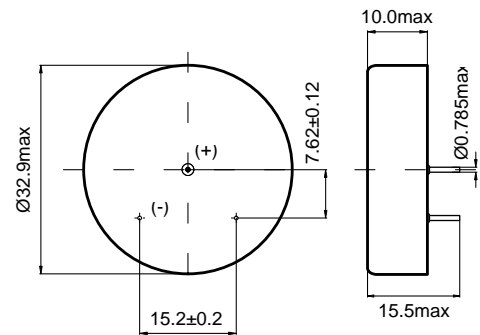
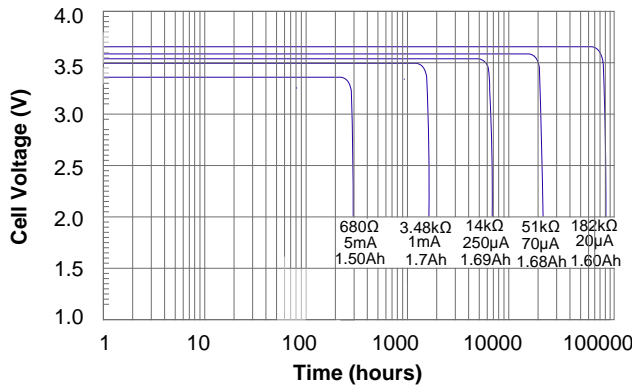
**Voltage versus Current and Temperature**



**Capacity versus Current and Temperature**



**Typical Discharge Profile at 25°C**



Dimensions in mm

Product specifications are subject to change without prior notice. Any presentation in this data sheet concerning performance is for information purpose only and not warranties, either expressed or implied, of future performance.